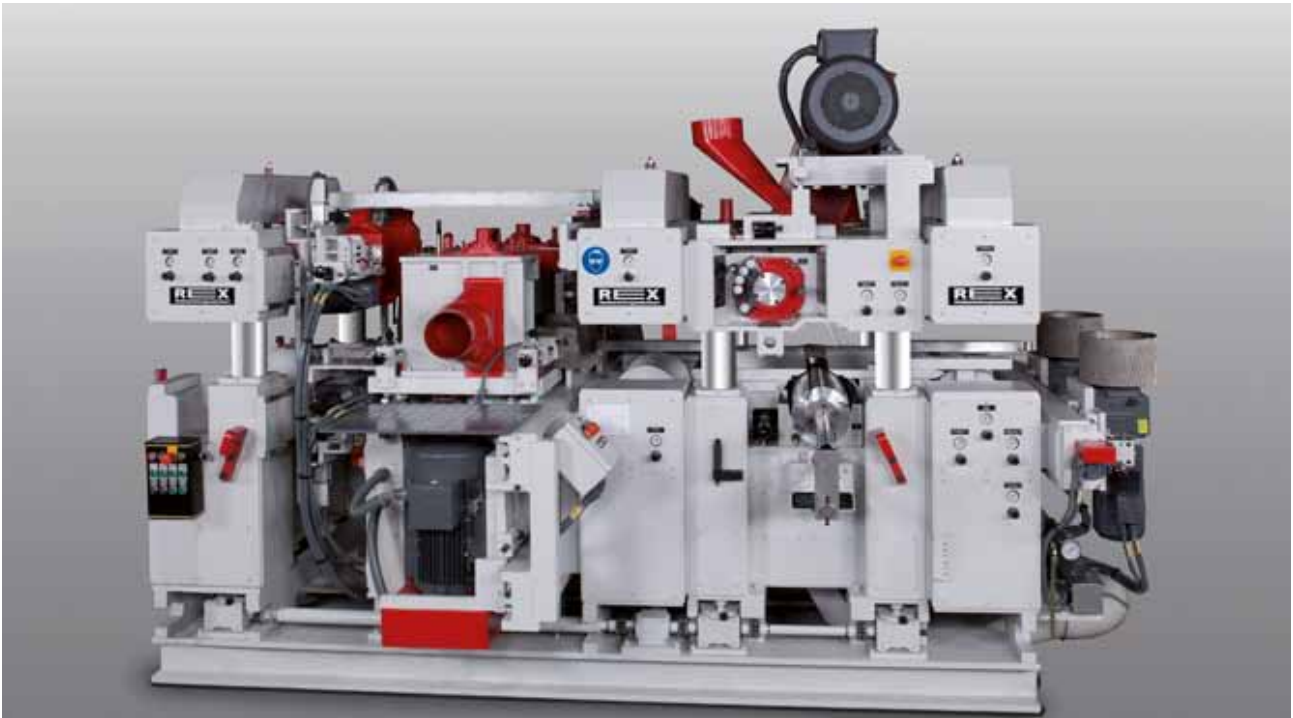


BIGMASTER

The strong planer of REX



The difference is **REX**

In developing the **BIGMASTER** series the main attention was paid to the following points:

- Productivity-enhancing excellent performance potential
- Perfect quality of the planed surfaces
- Highest precision of the machine and the finished product
- Long lifetime
- Perfect solution for every application (profiling spindles, sawing spindles, etc.)
- Easy and safe operation
- Special solutions for easy integration into new and existing installations
- This machine series is designed for multi-shift operation and long-term stress
- High availability
- Free selectable operating and fence side



Machines of the **BIGMASTER** series are used to plane all products such as building lumber, solid structure timber (KVH), DUO / TRIO beams, lamellas, gluelam (BSH), profile boards and much more with a feeding speed up to 220 m / min.

For this purpose, the **BIGMASTER** machine series can be equipped with additional vertical and horizontal profil and sawing units, Rotaplan shafts, automatic jointers, oscillation of the working shafts, displacement of the complete machine, etc. Due to the modular design proven for decades by **REX**, more options and additional spindles and units are possible. So each machine can be customized specially.

For **REX** applies:

We listen to you and fulfill your request. Please contact us and design together with our sales team for your machine according to your requirements and wishes.



BIGMASTER 8/31 -K for the production of high quality profil boards



Jointing device

REX is always on the cutting edge of technology. This is also reflected in the straight and profil jointing devices. They are operated from the control panel of the machine. **REX** Jointer correspond to the latest machine construction guidelines

Tool changing times reduced to a minimum

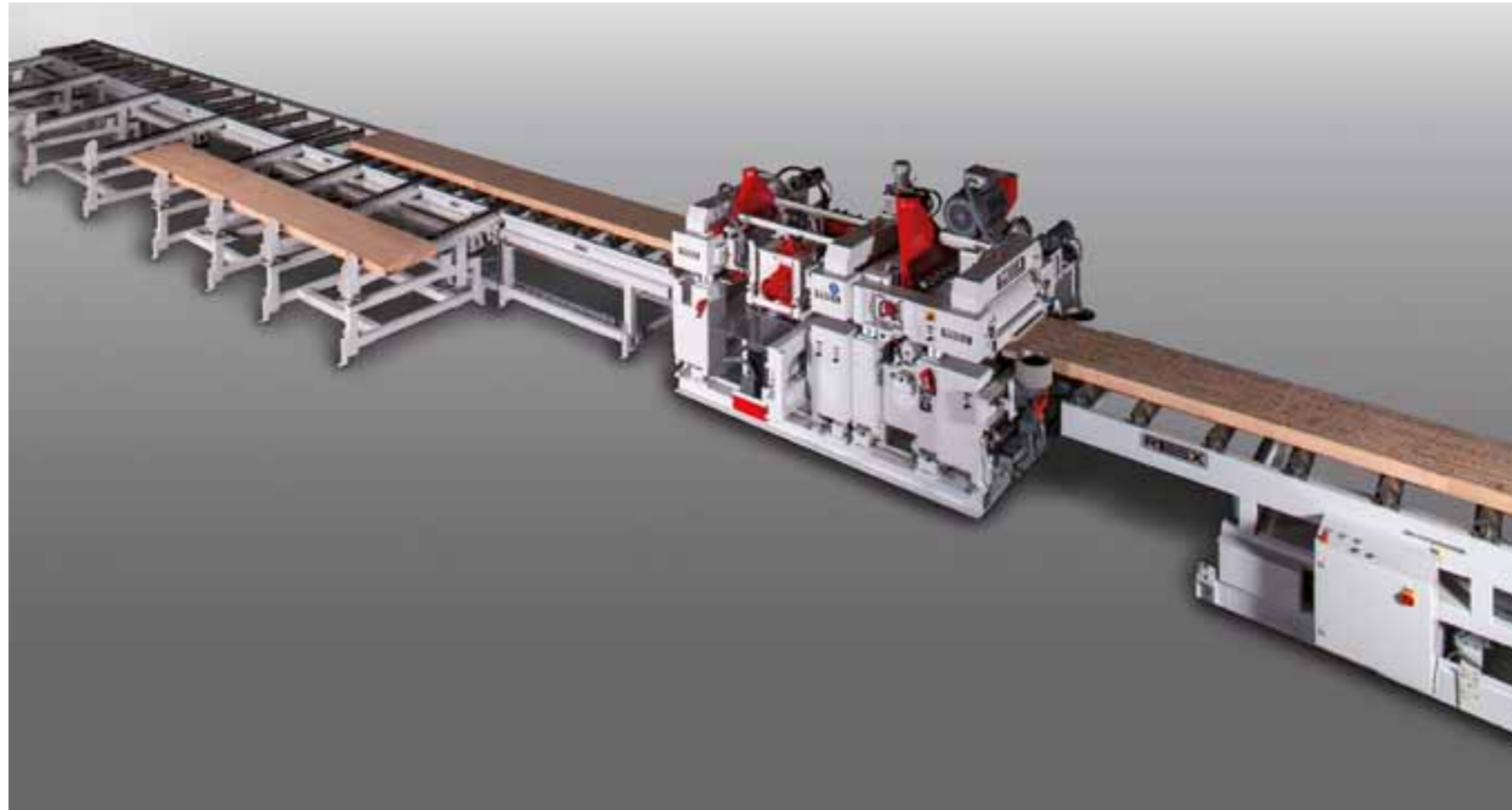
REX tool changers allow an easy tool change and make the operating with the machine even more user-friendly.



Machines of the **BIGMASTER** series can of course work as a single machine or in the plant network. The control of the machine can be done online. Also, the controller can not only process the dimensions, chip removal, positions of the sawing spindles, etc., it can also be lists of components and the associated data are applied.

We are happy to offer you a complete planing line from the stacking of the raw material to the stacking of the finished product.

Also in the control and mechanization applies at **REX**: We listen to you and fulfill your request. Please ask our sales team



BIGMASTER 8/63 -K- Planer for glued beams incl. mechanization.



Heavy vertical infeed unit

Heavy feeding unit with two large vertical feed rollers for bringing the work pieces into the planer. Width adjustment synchronously with the vertical working shafts of the machine.



Vertical working shafts

The double-sided mounting of the vertical output shafts allows smooth running of these shafts even at high feeding speed. Tools with a circle of up to 250 mm can be used, thus this work shafts are also perfectly suited for profiling.

Chamfering unit

Separately driven chamfering units gives the work pieces a perfect chamfer or rounding.

Machines of the **BIGMASTER** series are used in the high performance range for BSH-Lamellas and other planed products. The heavy construction, the perfect bearings together with the perfect working shafts, automatic jointing facilities and Rotaplan shafts ensure even at high feed rates a perfect surface results.

Again, you can choose many options.

As always with **REX**:
We listen to you and meet your needs. Please contact us and design together with our sales team your machine according to your requirements and wishes.



BIGMASTER 6/31 -K - Planer for lamellas and profiled boards incl. Rotaplan shafts for highest quality standards



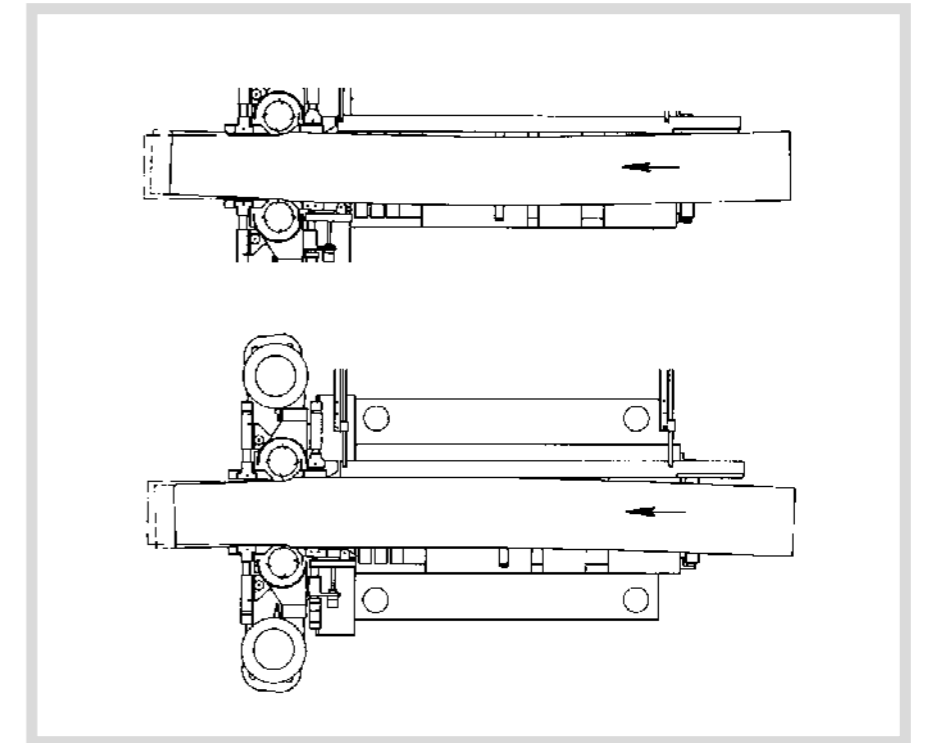
Heavy feeding system

Each feeding unit has large feed rollers and a separate frequency-controlled drive. All horizontal feed rollers are driven by shock-absorbing Cardan shafts. The horizontal feed rollers basically go over the entire working width so the work pieces are always perfectly guided.

All machines of the **BIGMASTER** series are suitable due to this strong feed system for both wet and dry wood.



BIGMASTER 5/31 -K- lamella planer with upper sawing spindle for gluelam (BSH) and CLT lamellas



Floating working shafts

Since decades, the vertical working shafts from **REX** are available as floating working shafts (system PSV). This option gives you a wood and money-saving handling of your material.

Ripping and cross – cutting device



Vertical and horizontal units for splitting, cutting and also for cross cuts.

The sawing spindles are slightly offset so arranged that a colliding of the saws by splitting work pieces **up to 250 mm width** are excluded. All spindles are adjustable in height and sideways and can be completely moved out of the work area.

This unit can be used behind the machine out of the house **REX** or provided as a single machine in a production line.

Vertical out feed rollers provide a perfect handling of the work pieces without clamping the saw blades.



REX machine control

REX has the perfect command center for your needs

The controls are completely configured and programmed by REX after the customers needs. Thus, the customer has with his **REX** partner immediately the expert to contact competent and expert in the control area.



Energy is precious and expensive.

For this reason, energy efficiency is standard on REX.

The careful and responsible management of resources was consistently implemented in the **BIGMASTER** series for example through the use of the Siemens Efficient Technology.

Technical data of the REX **BIGMASTER** series

Working width:	up to 630 mm
Working height:	up to 300 mm
Feeding speed:	up to 250 m/min
Control:	Siemens
Spindle specification:	individual after your needs
Areas of application:	pre planning lamella planning beam planning production of solid structure timber (KVH) production of DUO/TRIO Lam production of gluelam production of profiling boards planning of building timber

Your special area of use with your **BIGMASTER** designed for you